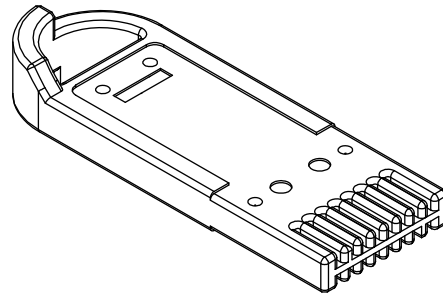
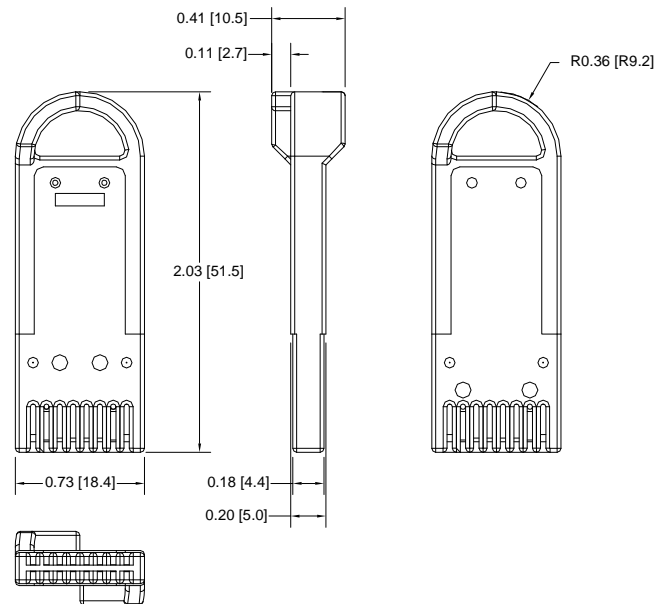


Datakey Electronics' IEX Series of CryptoMemory<sup>1</sup> Extended Tokens incorporate the highly secure symmetric dynamic mutual authentication protocols provided by Atmel Corporation's CryptoMemory products.<sup>2</sup> Encrypted passwords, mutual authentication, data encryption, and encrypted checksums provide extremely high levels of data security. Datakey Electronics' IEX Series of Extended Tokens are compliant with the Atmel 2-wire protocol and is available with user EEPROM memory capacities of 1Kbit to 256Kbit. The IEX Series features Datakey Electronics' industry-leading solid molded construction, rugged wear-resistant exterior and long-lasting contacts. These Tokens interface to Datakey Electronics' standard SlimLine™ Token Receptacles—consult factory.

Mechanical	
Contact Life	10,000 Insertions/Removal Cycles Min.
Contact Arrangement	Fully Redundant (Front:Back)
Electrical	
Power, Active	25 milliwatts typical at 5V
Power, Standby	200 microwatts typical at 5V
Voltage <sup>3</sup>	2.7 to 3.6V
ESD Protection	15kV (per Std. 064-1028)
Environmental	
Storage Temperature	-40° C to + 100° C
Operating Temperature	-40° C to + 85° C
Relative Humidity	5% to 95% (non-condensing)
Memory	
Token	Capacity:
IEX1Kb	1Kb (1,024 bits) 128 x 8
IEX16Kb	16Kb (16,384 bits) 2048 x 8
IEX64Kb	64Kb (65,536 bits) 8192 x 8
IEX256Kb	256Kb (262,144 bits) 32768 x 8
Read Cycles	Unlimited
Write/Erase Cycles	100,000 Cycles Minimum
Data Life (Storage)	10 Years Minimum
Mating Component(s)	
Panel-Mount Receptacle	SR4210
PCB Mount Receptacle	SR4000 Family of Receptacles
Ordering Information	
IEX1000	Consult factory.
IEX16000	Consult factory.
IEX64000	Consult factory.
IEX256K	Consult factory.



Consult factory for pin-out information.



#### NOTES:

- 1: CryptoMemory is a registered trademark of Atmel Corporation and is used by permission.
- 2: Visit [www.cryptomemorykey.com](http://www.cryptomemorykey.com) for complete details.
- 3: Contact factory for 5V operation.

