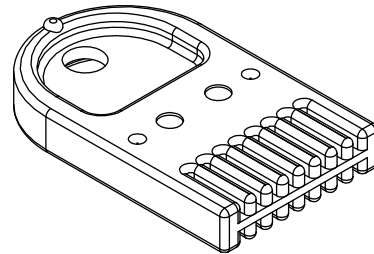
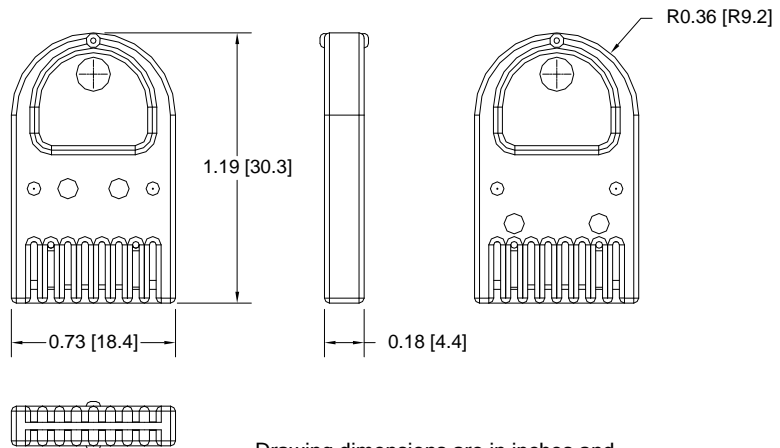


Datakey Electronics' IET Series of CryptoMemory¹ Tokens incorporate the highly secure symmetric dynamic mutual authentication protocols provided by Atmel Corporation's CryptoMemory products.² Encrypted passwords, mutual authentication, data encryption, and encrypted checksums provide extremely high levels of data security. Datakey Electronics' IET Series of Tokens are compliant with the Atmel 2-wire protocol and is available with user EEPROM memory capacities of 1Kbit to 256Kbit. The IET Series features Datakey Electronics' industry-leading solid molded construction, rugged wear-resistant exterior and long-lasting contacts. These Tokens interface to Datakey Electronics' standard SlimLine™ Token Receptacles – consult factory.

Mechanical	
Contact Life	10,000 Insertions/Removal Cycles Min.
Contact Arrangement	Fully Redundant (Front:Back)
Electrical	
Power, Active	25 milliwatts typical at 5V
Power, Standby	200 microwatts typical at 5V
Voltage ³	2.7 to 3.6V
ESD Protection	15kV (per Std. 064-1028)
Environmental	
Storage Temperature	-40° C to + 100° C
Operating Temperature	-40° C to + 85° C
Relative Humidity	5% to 95% (non-condensing)
Memory Data	
Token:	Capacity:
IET1Kb	1Kb (1,024 bits) 128 x 8
IET16Kb	16Kb (16,384 bits) 2048 x 8
IET64Kb	64Kb (65,536 bits) 8192 x 8
IET256Kb	256Kb (262,144 bits) 32768 x 8
Read Cycles	Unlimited
Write/Erase Cycles	100,000 Cycles Minimum
Data Life (Storage)	10 Years Minimum
Mating Component(s)	
Panel-Mount Receptacle	SR4210
PCB Mount Receptacle	SR4000 Family of Receptacles
Ordering Information ⁴	
IET1Kb	611-0114-00XA
IET16Kb	611-0115-00XA
IET64Kb	611-0116-00XA
IET256Kb	611-0117-00XA



Consult factory for pin-out information.



Drawing dimensions are in inches and millimeters [mm]. Dimensions are nominal and subject to manufacturer's tolerances.

NOTES:

- 1: CryptoMemory is a registered trademark of Atmel Corporation and is used by permission.
- 2: Visit www.cryptomemorykey.com for complete details.
- 3: Contact factory for 5V operation.
- 4: "X" indicates optional color number. "A" suffix on part number indicates RoHS compliance.

